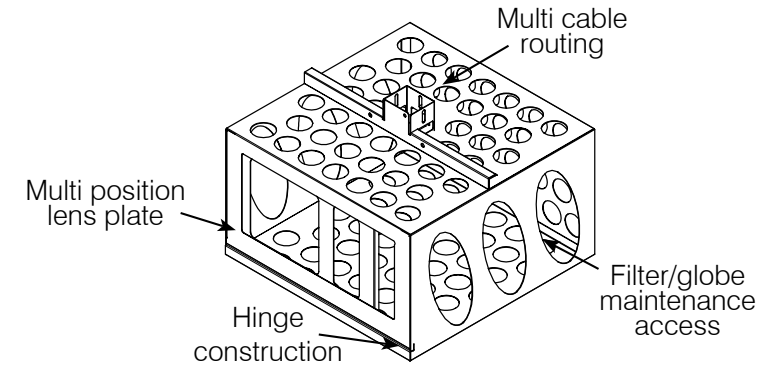
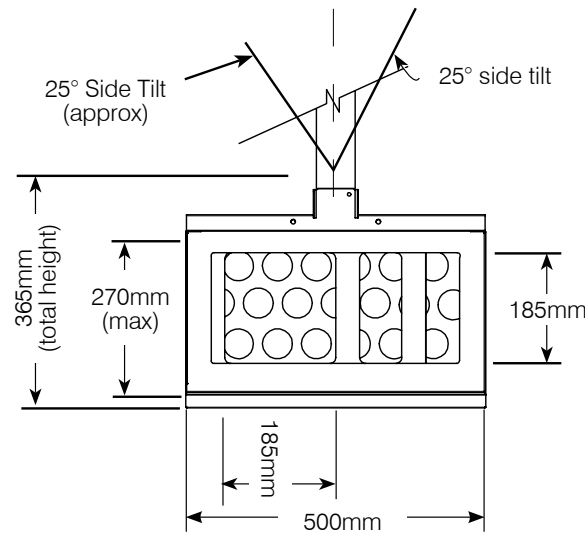
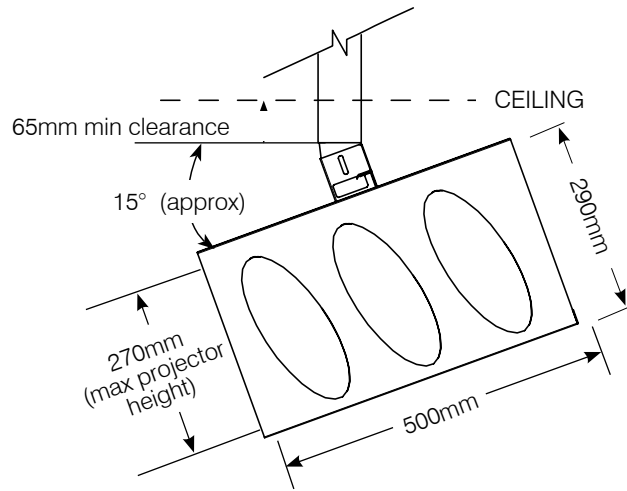


Specifications for LP Morgan Security Cage

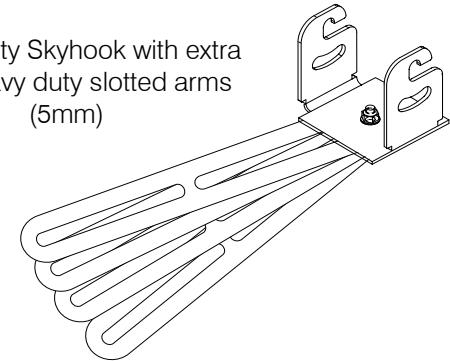


Features

- Perfect for preventing damage or theft of projectors.
- Single piece, hinged access steel cage with dual padlock access.
Note: Padlock not provided.
- Easy tilt or pan of the cage as well as the projector independently.
- Multi-position lens plate to accommodate different lens position.
- Provided with slotted extra length heavy duty arms and extended U-Hook.
- Ideal to be retrofitted with previous installation (compatible with Skyhook poles only)
- Cable management through column, universal and security cage collar.
- Ideal projector ventilation and specially designed for maintenance access without removing projector.

(Not suitable for the use with Skyhook direct to ceiling mount.)

Heavy duty Skyhook with extra long heavy duty slotted arms (5mm)



Security cage			Dimensions				Max projector height	Shipping size	Weight (kg)
Size	Code	Colour	Length (L)	Width (W)	Height (H)	o/all height		L x W x H (mm)	
Large	LPM4SKYWSECL	white	500mm	500mm	290mm	365mm	270mm	525 x 525 x 400	10
Medium	LPM4SKYWSECM	white	370mm	420mm	170mm	250mm	150mm	415 x 480 x 320	8